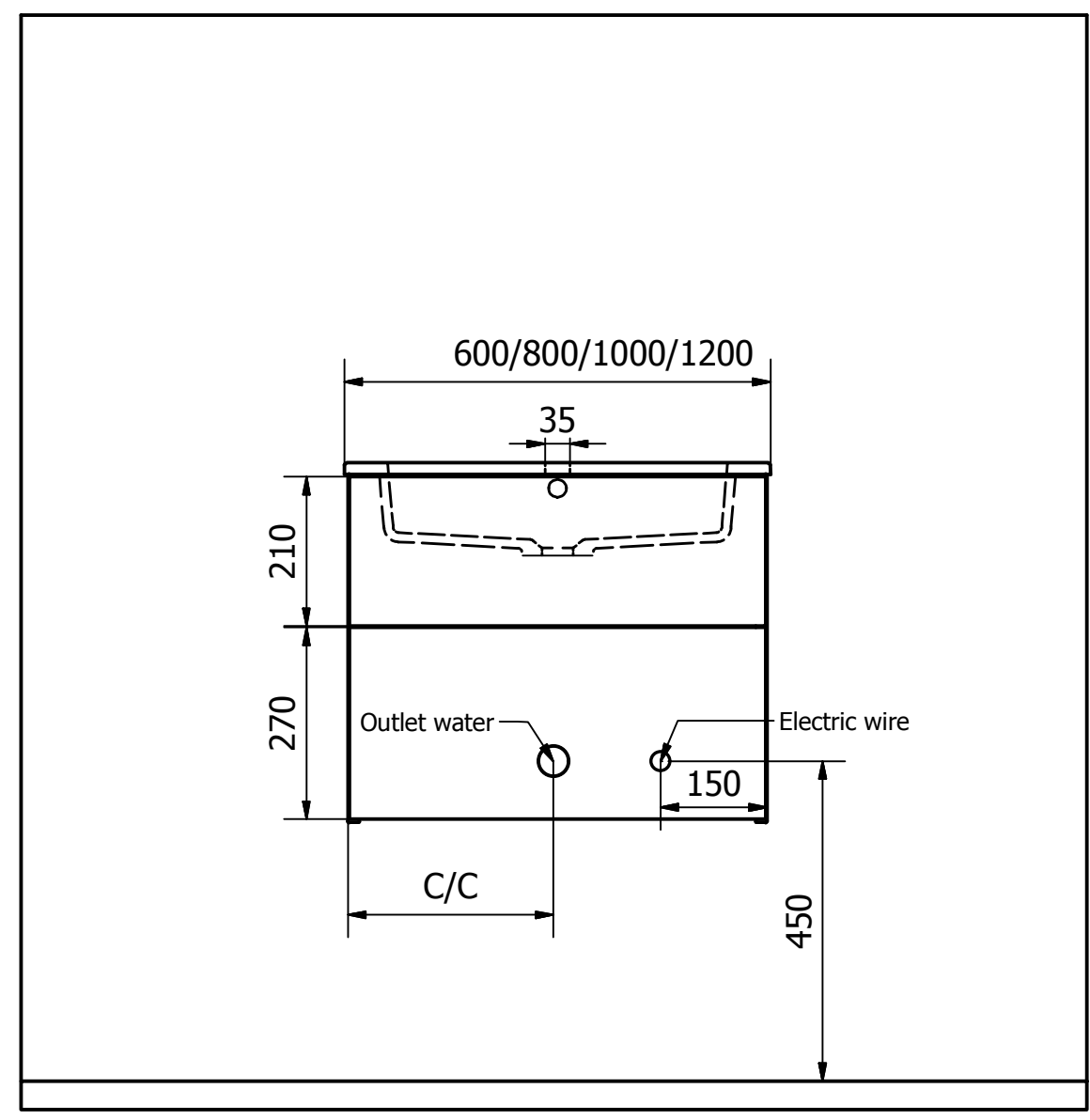
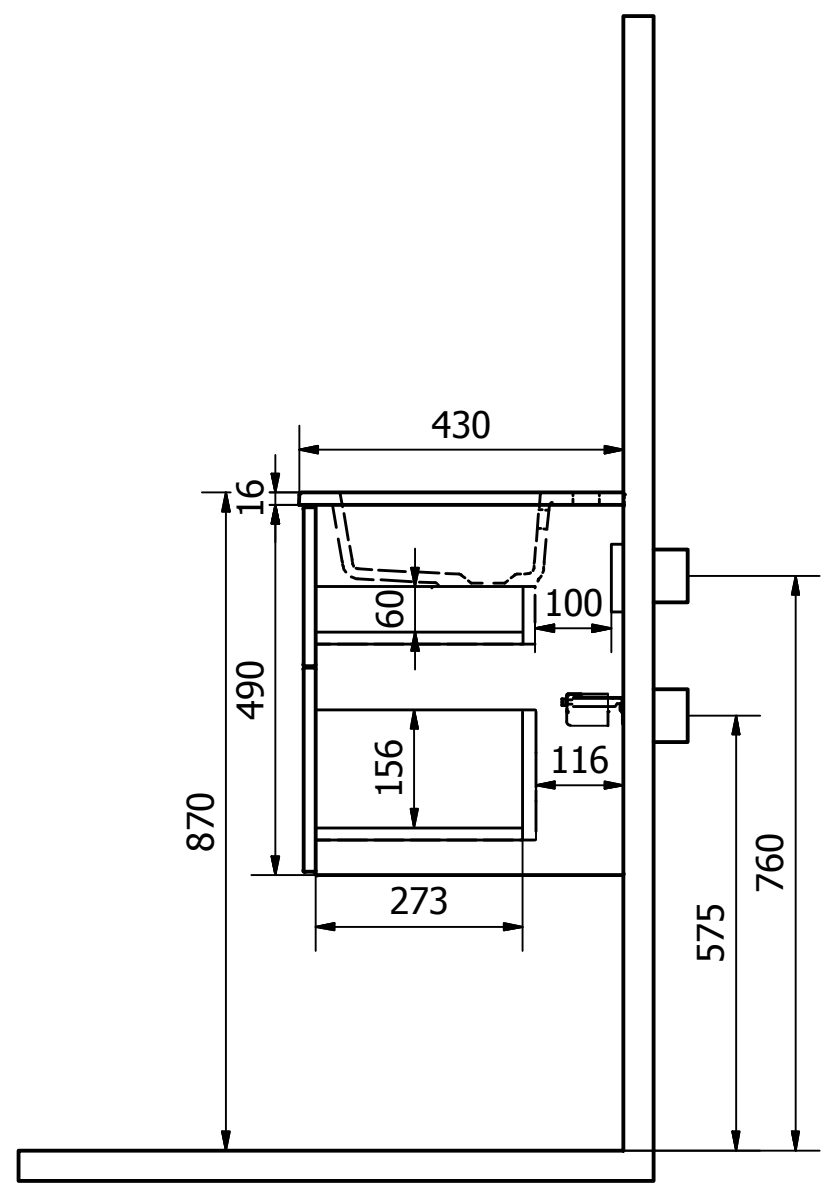


This document must not be copied without our written permission and the contents thereof must not be imparted to a third party nor be used for any unauthorized purpose. Contravention will be prosecuted.



Material According to agreed specifications				A-surface -----		B-surface	
Designed by KON	Checked by	Approved by	Appr. Date	General tolerance ISO 2768 c	Weight N/A	Projection ☞	Scale 10 : 1
ICONIC NORDIC ROOMS Installation smart			Title/Name				Sheet size A3
			Drawing no./Article no Viskan_Stenkomposit_60_120				Rev. 1

