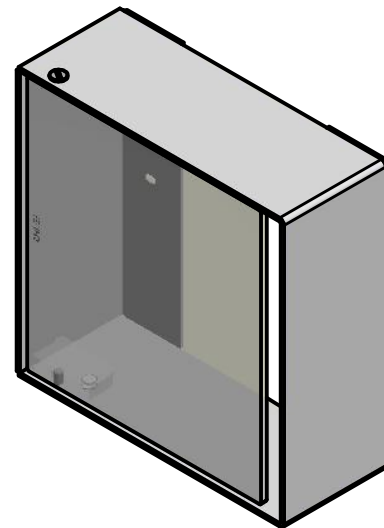
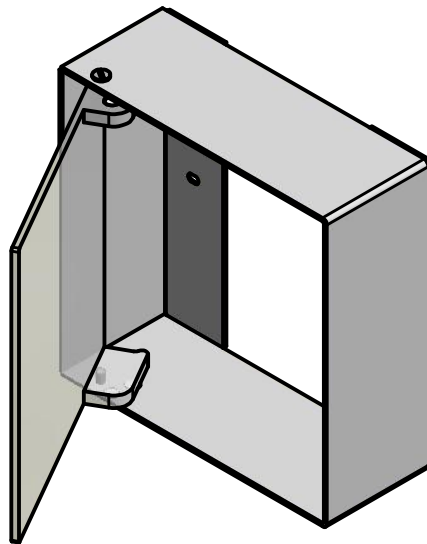
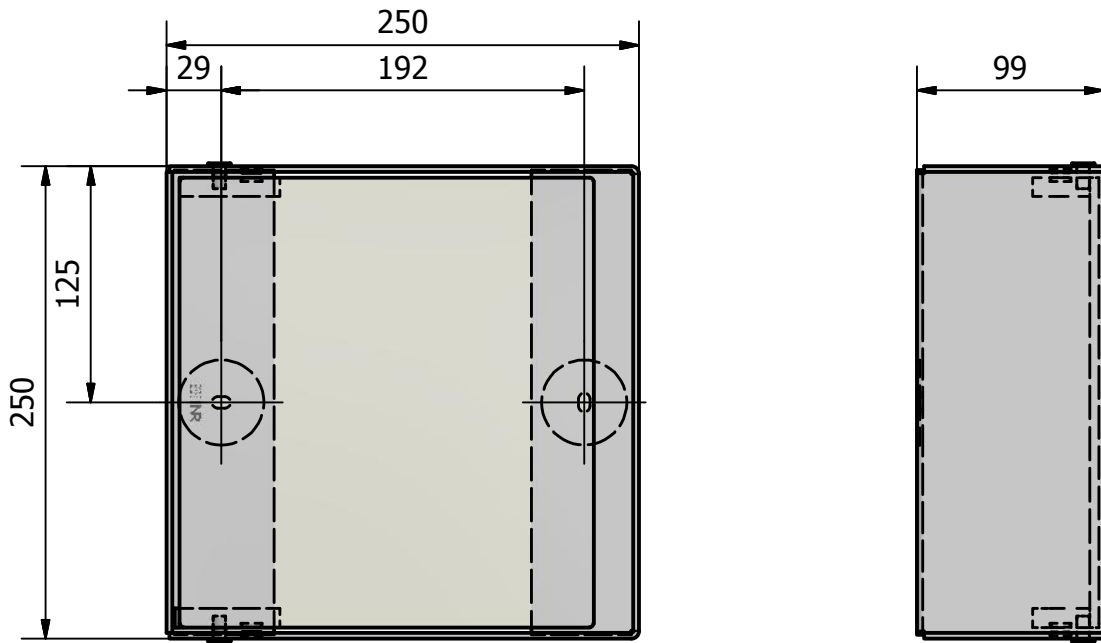


REV	DESCRIPTION	DATE	APPR.
1		2017-10-20	



This document must not be copied without our written permission, and the content thereof must not be imparted to a third party nor be used for any unauthorized purpose. Contravention will be prosecuted.

Designed by PKP	Checked by	Approved by	Appr. Date	General tolerance ISO 2768 c	Weight N/A	Projection 	Scale 1 : 4		
<b>ICONIC NORDIC ROOMS</b>			<b>INR</b>				Title/Name <b>Case Assembly</b>		Sheet size A4
							Drawing no/Article no <b>100081</b>		Rev. <b>1</b>